

# Michel César

Bathroom Collection

## UNIT INSTALLATION MAINTENANCE & WARRANTY

### Please Read Carefully

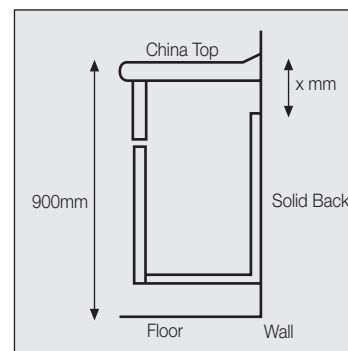
It is recommended that a qualified, licensed trade's person install your unit.

1. Prior to installation it is important to inspect the unit to ensure no damage has occurred in transit. If damage has occurred, or a visible defect exists, do not proceed with installation and advise supplier immediately.

**Note:** Manufacturer will not be liable for the cost of installation or removal of the unit. The warranty will be null and void if damage occurred during or after installation.

2. Check the wall is straight, (not bowed or twisted).
3. For wall hung units: Decide appropriate height for top of unit, normally about 900mm. Measure distance from top of unit to top of solid back allowing for the china top. Mark this distance down from total height allowed for unit, e.g. if distance from top to solid back is X mm, measure X mm down from the recommended 900mm.

If unit has a hanging rail, measure from top of unit to bottom of fixing rail. Mark distance on wall as mentioned for solid back units. Fix bottom of hanging rail above mark.



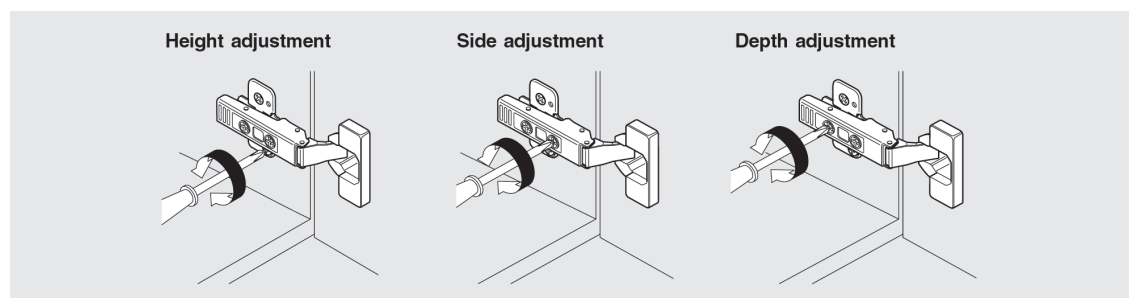
4. Drill holes for pipes in base/rear of unit with appropriate size hole saws.
5. Position unit over pipes in correct position. Check level with spirit level.
6. Securely fasten unit to wall through fixing rail, or back, if solid back is against wall. Unit should be secured as close to cabinet ends as possible. No further than 150mm from ends of cabinet.
- 6a. Ensure that brackets supplied with wall hung Grandangolo, Tablo, Nico, Piko, Light, Daytime, Cubo, and others, are used, and securely fastened to secure points in the wall.
- 6b. Do not position outer brackets more than 200mm from cabinet ends.
7. Securely fasten top to wall, where applicable, with bolt set supplied.
- 7a. As ceramic tops are not perfectly flat due to the manufacturing process it may be necessary to pack the tops up so binding of doors and drawers does not occur.
8. Seal all edges where water penetration may occur, i.e. between top, wall and floor etc. (Materials used in the construction of bathroom furniture are water-resistant not waterproof). Ensure only silicone is used according to manufacturers' instructions. Do not use glue.
9. Where a separate basin is to be fitted it is essential that the basin be fully sealed to the cabinet and top to prevent any water penetration.
10. Always fix shelves to drawer unit with connectors when supplied in Ovo, Area, etc.
11. Adjust doors if required, as there may have been some movement during transportation or installation, (refer to hinge adjustment).
12. Upon re installation, soft close drawers (if fitted), must be fully seated to ensure soft close operation. Place drawer on rails and slide in most of the way, quickly and firmly push the drawer in with even pressure on each side of the drawer front for the last 50mm or so.

## Recommendation for Plumbing

- Do not over tighten the waste as this may cause stress on basin or top.
- Contoured waste to suit must be fitted to basin.

## Cleaning and Maintenance

- To maintain the finish on your unit and top, use only a soft cloth, or a weak solution of non-abrasive detergent. Do not use cleaners that incorporate isopropyl alcohol.
- To restore accidental scratches, burns etc. on gloss painted finishes, rub gently with a very light cutting compound. On matt or timber finishes contact the manufacturer.
- Excess water or moisture must be removed.



## Hinge Adjustment

Note: All fittings have been factory set and should not need adjustment. Check that the unit has not been twisted during installation before making adjustments. Drawer fronts on some models may be adjusted, if necessary refer to manufacturer.

## Timber Vanities

Regularly maintain your solid timber veneer with furniture oil to prevent deterioration of the clear protective coating.

## The Michel Cesar Bathroom Furniture Warranty

Michel Cesar warrants that in the manufacture of its products only high quality workmanship and materials have been used. If within five years there should be a fault with either materials or workmanship Michel Cesar will repair at its own cost or, with consideration, supply a replacement for the faulty product, but will not be responsible for removal or installation costs.

This guarantee does not cover damage by improper installation, abuse, accident, misuse, excessive wear, and tear, negligence, neglect, natural causes eg water and sunlight, improper care and maintenance, water temperatures in excess of 60 degrees Celsius, humidity and other environmental conditions.

It should be noted that all cabinets are water-resistant not waterproof. Any spillage or leakage of water that may come in contact with the unit should be carefully dried immediately as water damage is not a justifiable claim. Installation, cleaning and maintenance instructions need to be followed to ensure validity of warranty.

The Michel Cesar guarantee applies for five years from the date of purchase. Proof of the purchase date needs to be produced by the purchaser when making a claim.

All measurements are in millimeters and are nominal only.

NB: Failure to follow instructions will void warranty.

## Manufacturer:

SMAIL & CO

Distributors & Manufacturers of Bathware

Christchurch 8025 New Zealand PO Box 8644 86 Wigram Road  
Telephone +64 3 343 0969 Fax +64 3 343 0967  
email info@smail.co.nz

Auckland 1021 New Zealand 96 New North Road Newton  
Telephone +64 9 309 9109 Fax +64 9 309 9343  
web www.michelcesar.co.nz