

Michel César

Bathroom Collection

UNIT INSTALLATION MAINTENANCE & WARRANTY

Please Read Carefully

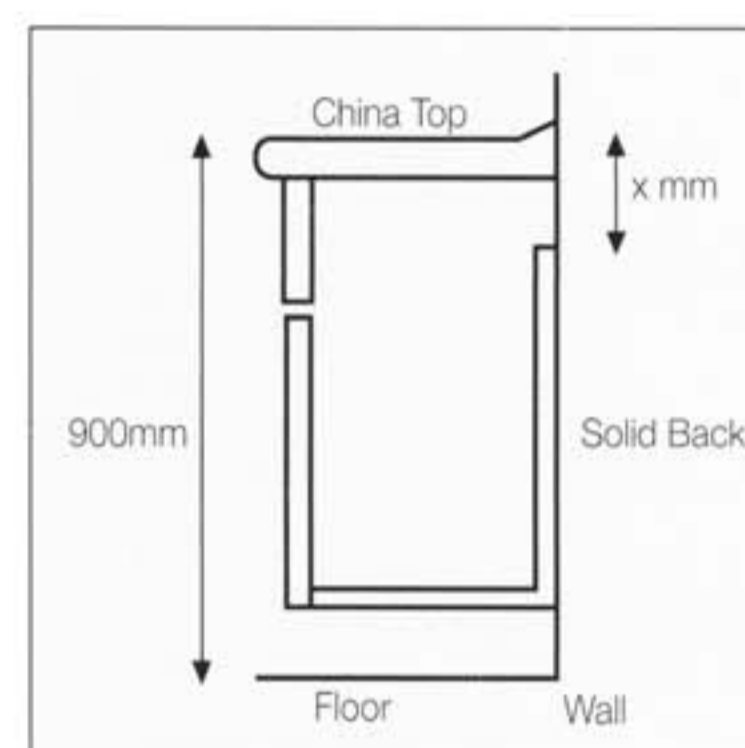
It is recommended that a qualified, licensed tradesperson install your unit.

1. Prior to installation it is important to inspect the unit to ensure no damage has occurred in transit. If damage has occurred, or a visible defect exists, do not proceed with installation and advise supplier immediately.

Note: Manufacturer will not be liable for the cost of installation or removal of the unit. The warranty will be null and void if damage occurred during or after installation.

2. Check the wall is straight, (not bowed or twisted). Ensure unit is square against the wall before securing. Door and drawer alignment could be affected otherwise.
3. For wall hung units: Decide appropriate height for top of unit, about 900mm. Measure distance from top of unit to top of solid back allowing for the china top. Mark this distance down from total height allowed for unit, e.g. if distance from top to solid back is X mm, measure X mm down from the recommended 900mm.

For Tall Cabinets with hanging rail, measure from top of unit to bottom of fixing rail. Mark distance on wall as mentioned for solid back units. Fix bottom of hanging rail above mark.



4. Drill holes for pipes in base/rear of unit with appropriate size hole saws.
5. Position unit over pipes in correct position. Check level with spirit level.
6. Securely fasten unit to wall through the back, no further than 100mm from end of cabinet. Upper fixings no lower than 50mm from top of back.
- 6a. Ensure that brackets supplied with wall hung units are used, and securely fastened to secure points in the wall.
- 6b. Do not position outer brackets more than 200mm from cabinet ends.
7. Tops with allowance for bolts must be fixed through bolt holes. Tops without fixing holes should be secured with silicone only.
- 7a. As ceramic tops are not perfectly flat due to the manufacturing process it may be necessary to pack the tops up to stop movement or avoid the doors or drawers binding.
8. Seal all edges where water penetration may occur, i.e. between top, wall and floor etc. (Materials used in the construction of bathroom furniture are water-resistant not waterproof). Ensure only silicone is used according to manufacturers' instructions. DO NOT use adhesive.
9. Where a separate basin is to be fitted it is essential that the basin be fully sealed to the cabinet and top to prevent any water penetration.
10. Always fix shelves to drawer unit with connectors when supplied.
11. Adjust doors if required, as there may have been some movement during transportation or installation, (refer to hinge adjustment). However first check that unit has not been twisted during installation.
12. Tiles / Mirrors etc. Surrounding the installation must provide adequate space for future removal of product if required. Tiles or mirrors must clear cabinet by at least 3mm.
13. Light - Product should not be exposed to direct sunlight or heatlamps etc as this could cause premature discolouration or fading.

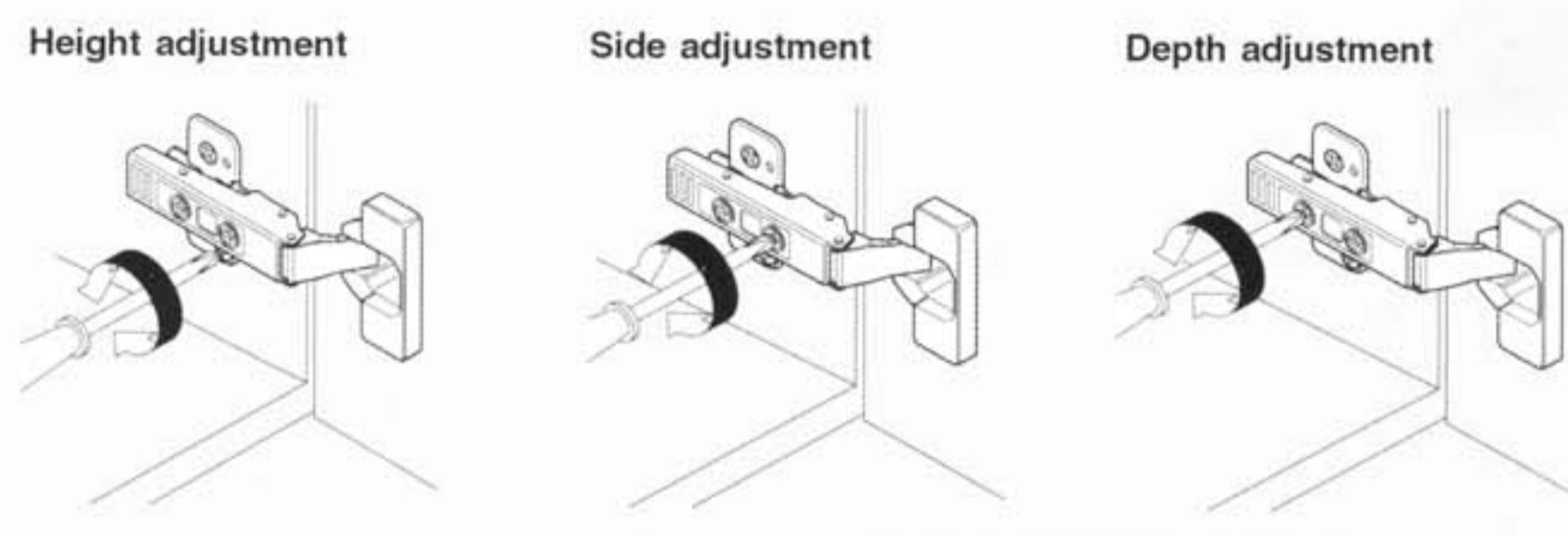
Recommendation for Plumbing

- Single drawer units are designed to be plumbed with a bottle trap.
- Do not over tighten the waste as this may cause stress on basin or top.
- Contoured waste to suit must be fitted to basin.
- Basin overflow must line up with waste opening.
- Waste hole opening must not be blocked by sealant.

Cleaning and Maintenance

- To maintain the finish on your unit and top, use only a soft cloth, or a weak solution of non-abrasive detergent. Do not use cleaners that incorporate isopropyl alcohol. Polymarble tops should only be cleaned with soapy water and a soft cloth.
- To restore accidental scratches, burns etc. on gloss painted finishes, rub gently with a very light cutting compound. On matt or timber finishes contact the manufacturer.
- Mirrors should be cleaned with diluted methylated spirits only (dilute 1:10). Remove all moisture caused by splashes, wet hands, or steam with a chamois or soft cloth after use.
- Michel Cesar warranty on mirrors applies for one year from the date of purchase.

Hinge Adjustment



Note: All fittings have been factory set and should not need adjustment. Check that the unit has not been twisted during installation before making adjustments. Drawer fronts on some models may be adjusted, if necessary refer to manufacturer.

The Michel Cesar Bathroom Furniture Warranty

Michel Cesar warrants that in the manufacture of its products only high quality workmanship and materials have been used. If within five years there should be a fault with either materials or workmanship Smail & Co. will repair at its own cost or, with consideration, arrange the replacement or repair of faulty product. If replacement or repair is hindered by incorrect installation, Smail & Co. will not be responsible for removal / replacement.

This warranty does not cover damage by improper installation, i.e. fixing with adhesives, abuse, accident, misuse, excessive wear and tear, negligence, neglect, natural causes eg water and sunlight, improper care and maintenance, water temperatures in excess of 60 degrees Celsius, humidity, direct lighting and other environmental conditions.

It should be noted that all cabinets are water-resistant not waterproof. Any spillage or leakage of water that may come in contact with the unit should be carefully dried immediately as water damage is not a justifiable claim. Installation, cleaning and maintenance instructions need to be followed to ensure validity of warranty.

The Michel Cesar warranty applies for five years from the date of purchase. Proof of the purchase date needs to be produced by the purchaser when making a claim.

All measurements are in millimetres and are nominal only.

NB: Failure to follow instructions will void warranty.

Manufacturer:



Christchurch 8025 New Zealand PO Box 8644 86 Wigram Road
Telephone +64 3 343 0969 **Fax** +64 3 343 0967
email info@smail.co.nz

Auckland 1021 New Zealand 96 New North Road Newton
Telephone +64 9 309 9109 **Fax** +64 9 309 9343
web www.michelcesar.co.nz